

# N-Conveyor Scale

Spring Conveyor and Scale

Feature  
and  
Structure

It is weighing and filling machine using N-Conveyor.  
The reliable calculation without negative weight  
due to feedback control, high precision and stability  
which supports any kinds of grain and 1kg~30kg volume.



1. Rapid and stable supply  
can be achieved.

It has been achieved in a short time  
and high precision weighing fast and  
slow transport.

2. It is equipped with  
auto-zero function.

Net weight which omits the tare  
weight can be measured from "zero"  
by the control of the computer.  
There will be not accumulative error.  
It also supports the options of printer.

3. The reliable calculation  
without negative weight.

The reliable calculation without  
negative weight due to the feedback  
control by the microcomputer ticks.

4. Stress-free chucking  
which fits the bag size.

Improvement in job efficiency by foot  
switch. Collect by container is also  
available.



We recommend N-Pack Scale in case the high precision weighing and weighing less than 2kg.  
We will help you to select the equipment and other options in our laboratory. Please tell us the weighing accuracy.



Weighing and filling machine of high precision  
and stability which supports all kinds of grain.

## N-Conveyor and Scale

Conveying and Weighing Machine into Bag and Container



NISHIMURA MACHINE WORKS CO.,LTD.

Powder Equipment and Total Engineering



株式会社 西村機械製作所

NISHIMURA MACHINE WORKS CO.,LTD.

[Head Office & Lab.]  
2-6-9 Matsuyama-cho Yao-city Osaka  
581-0088 Japan  
tel.+81-72-991-2461  
fax.+81-72-993-6334

[Tokyo branch]  
7-16 Nihonbashi-Kodenma-cho Chuo-ku  
Tokyo 103-0011 Japan  
tel.+81-3-3808-1091  
fax.+81-3-3808-0928

<http://www.rice-flour.jp> e-mail: [info@econmw.co.jp](mailto:info@econmw.co.jp)

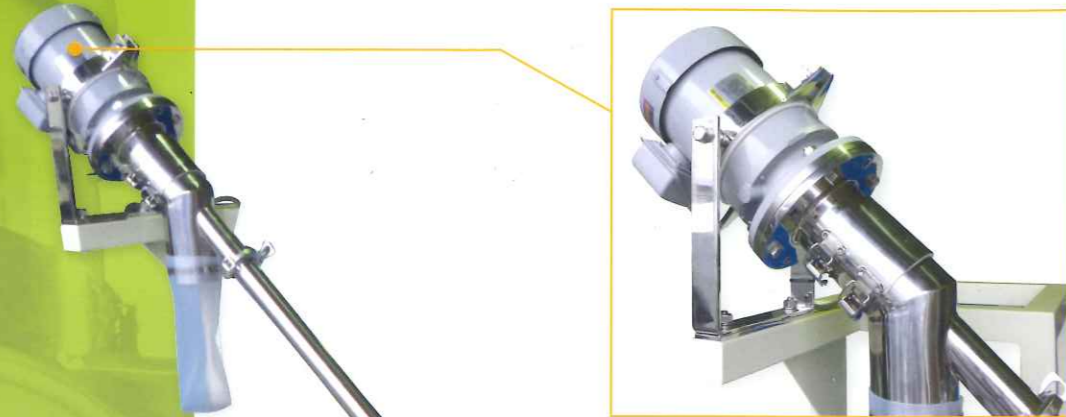
agency:

# N-Conveyor

Spring Conveyor

## Feature and Structure

N-conveyor is suitable machine for conveying transport of pellets and grain. It has been constituted by an electric motor directly connected to a flexible coil tube and transport from the chamber at the bottom of the hopper. So transport tube can move freely, it is available to be transported in a small space. Transport tube is completely sealed. Thus, no contamination, or no scattering during transport, it doesn't pollute the working environment. In addition, it is designed and maintenance can reduce the burden that decomposition can be cleaned easily without tools.



Discharge appearance



Input appearance



Installation case)  
Stainless Steel tube/  
45degrees inclination angle



Input internal

Model	NBS (P) -21	NBS (P) -26	NBS (P) -34
Max.capacity	0.3m <sup>3</sup> /hr	0.4m <sup>3</sup> /hr	0.7m <sup>3</sup> /hr
Max. material size	3mm	5mm	10mm
Transport tube material	Stainless Steel tube/Stainless Steel spiral tube/Nylon		
Coil Dia.	φ21	φ26	φ34
Motor	200V 3phase 0.4kw	200V 3phase 0.75kw	200V 3phase 1.5kw
Weight (base)	20kg	25kg	30kg
Weight (@1m)	0.5kg	0.5kg	0.75kg
Transport distance	Max.10m(Angle R3000)		
Rising angle	Up to max. 50degrees from horizontal		
Hopper size	50L~		

(1) (2) (3)

□ - □ - □

NBS - 21 - 6

→ (3) Load cell weighing capacity.  
※In case of combing the scale.

→ (2) Coil Dia.

→ (1) S means the tube material is Stainless steel.  
If the nylon tubing material becomes NBP.

Model chart

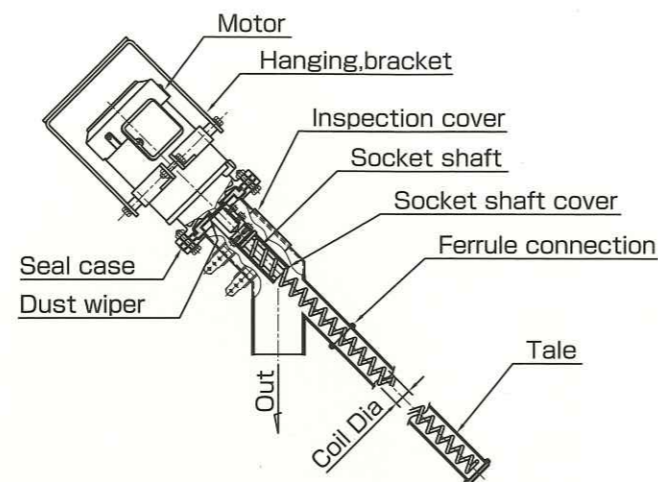
### Suitable Materials

Food	Medicine
Coffee, Buckwheat, Spice, Wheat, Rice, Tea and etc	Granules and tablets
Others	
Feed, Fertilizer and Seafood	Electric parts Pellet, and Bolt

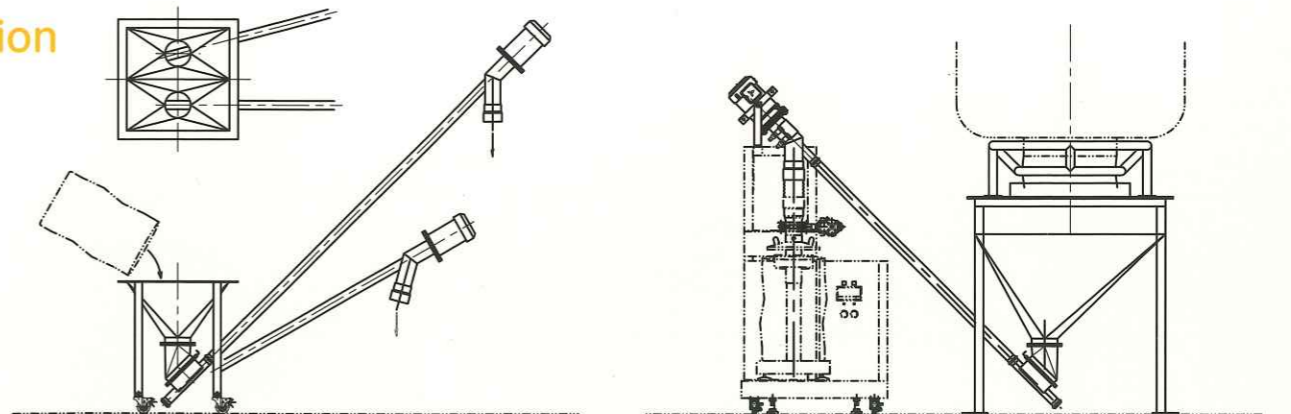
**Transportation of powder**

N-Conveyor is not able to be transported Powder.(Because it is not stable, and it occurs bridge)  
We will recommend screw conveyor and pneumatic conveyor in case of powder.

### Internal structure



### Installation case



◆Transport of two places to exit from one input

◆From flexible containers to paper bag