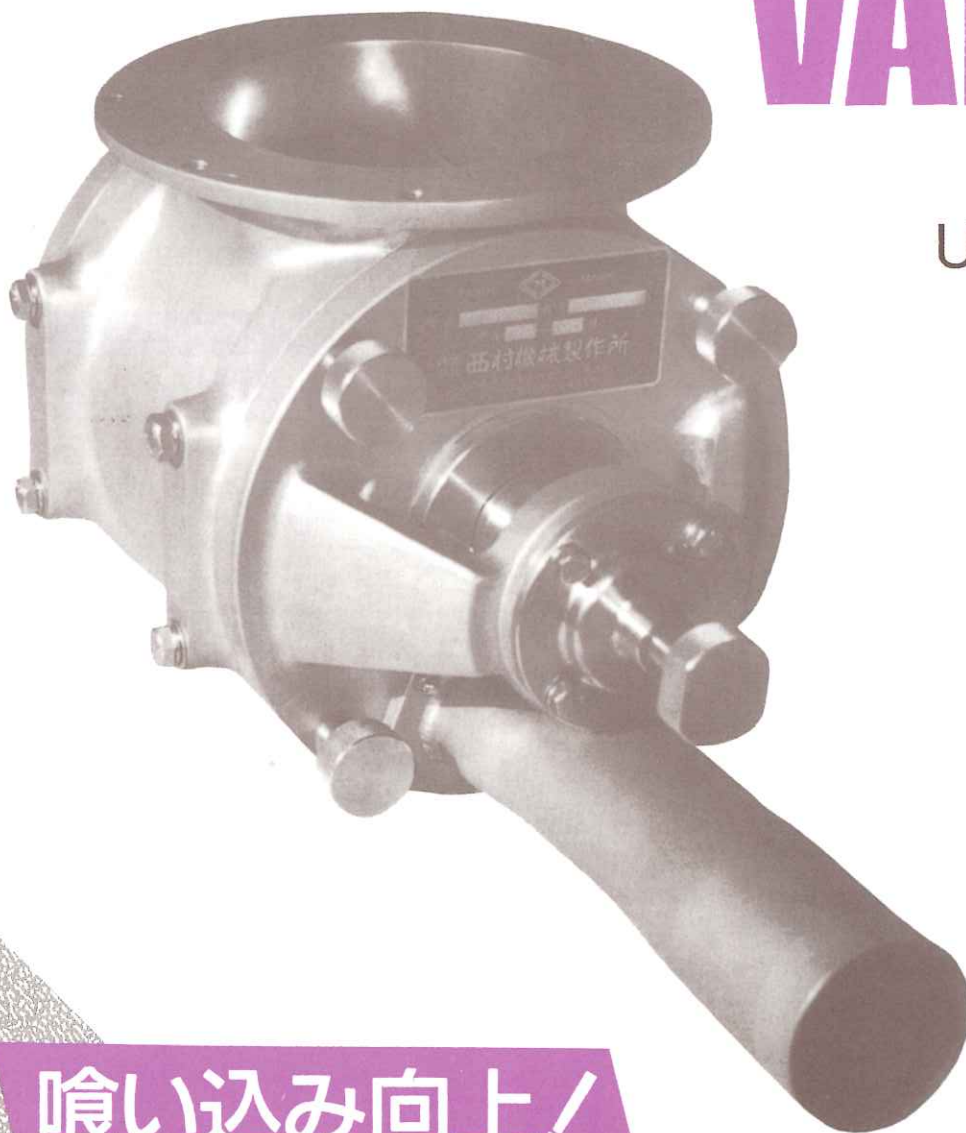


ニシムラ

サニタリ

BLOW THROUGH VALVES

USDA-DAIRY
DIVISION
APPROVED.



喰い込み向上!

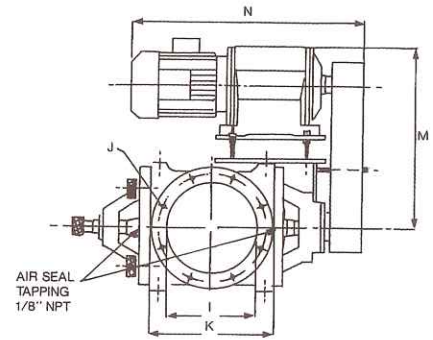
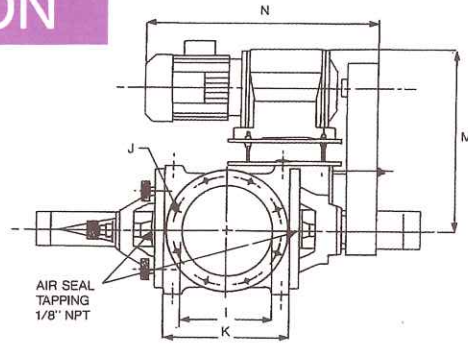
水分 80% OK!

TOKYO OSAKA JAPAN

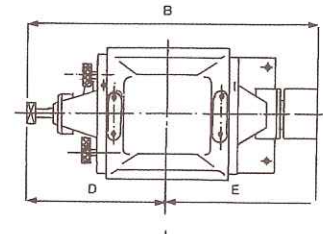
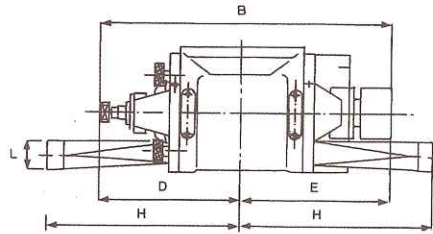
Nishimura

SPECIFICATION

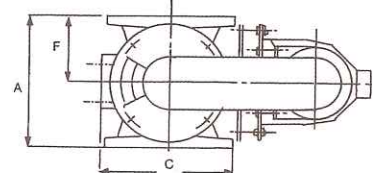
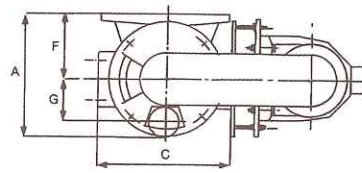
PLAN VIEW



SIDE VIEW



END VIEW

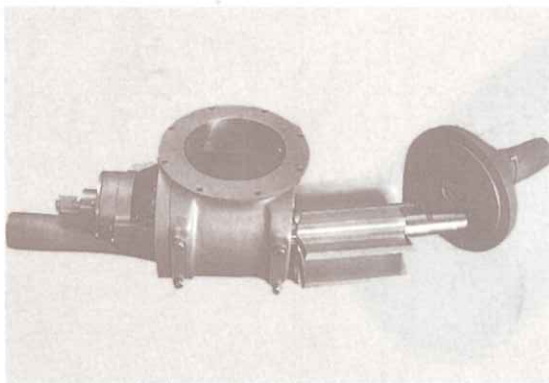


CONVEY THROUGH

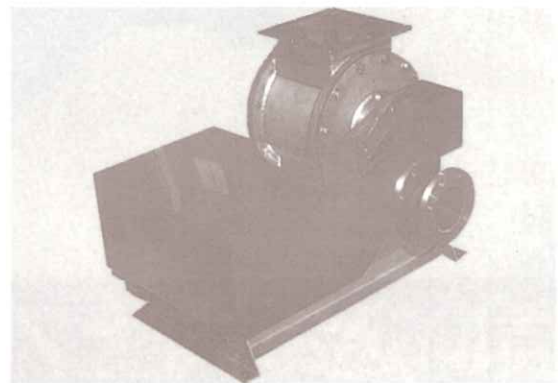
DROP THROUGH

MODEL		SWEPT VOL ℓ/REV	DRIVE H.P.	A	B	C	D	E	F	G	H	I	J	K	L	M	N	WEIGHT
375E	DT	4.5	0.5	285	584	260	290	293	142	85	425	165	8 HOLES 9.52UNC 235PCD	254	76	401	465	83 kg
	CV			268														
500E	DT	12.2	0.5	330	698	314	347	350	157	173	103	482	228	307	76	431	466	152 kg
	CV			320														
750E	DT	22.6	1.0	349	808	366	419	419	174	131	520	254	8 HOLES 9.52UNC 336PCD	358	101	506	555	226 kg
	CV			349														
1250E	DT	35.1	1.0	409	895	407	460	460	204	125	561	330	8 HOLES 9.52UNC 374PCD	396	101	531	565	285 kg
	CV			409														

分解例



抽出粕用ブロータイプ



NISHIMURA MACHINE WORKS CO.,LTD.

Head Office: 6-9, Matsuyama-cho 2 chome, Yao-city, Osaka, Japan
Tel. (0729) 91-2461 Fax. (0729) 93-6334
Tokyo Office: 7-16, Nihonbashi Kodenma-cho, Chuo-ku, Tokyo, Japan
Tel. (03) 3808-1091 Fax. (03) 3808-0928

本社 大阪府八尾市松山町2丁目6-9
東京支店 東京都中央区日本橋小伝馬町7-16

AGENCY: