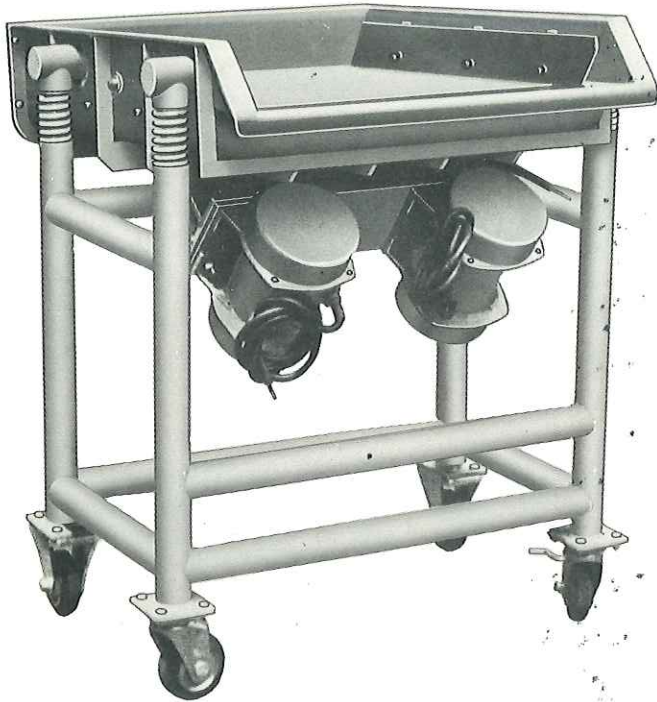
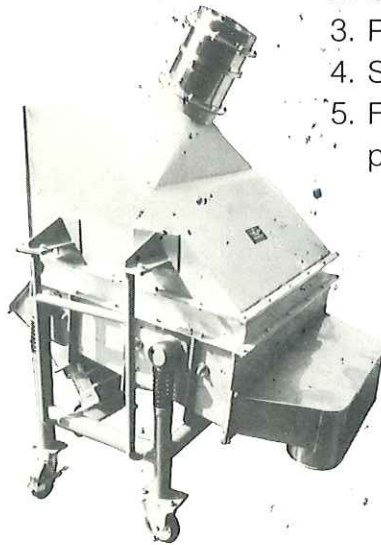
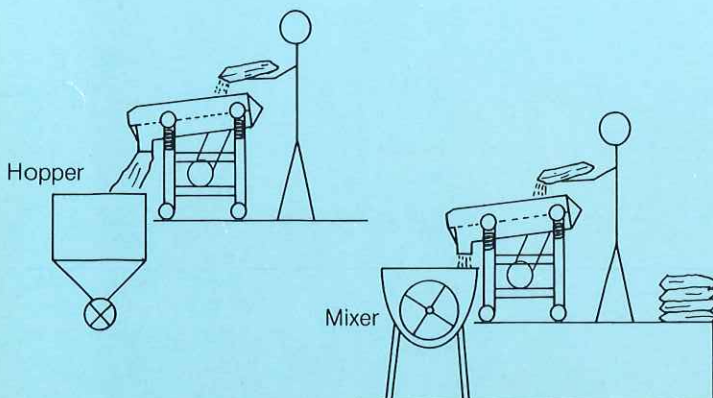


**NISHIMURA****SVT HAND THROWING-IN SYSTEMED VIBRATING SIEVE**

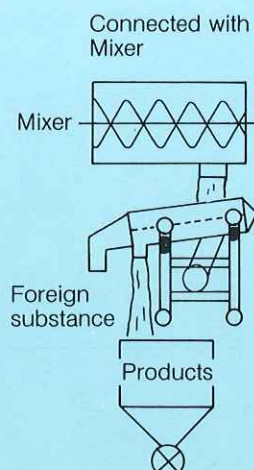
This is the **sieve** for removal of admixed foreign substance like lamp, waste, paper, insect, etc. and suits for concentration of the working of throwing-in from bag to mixer &/or hopper, and very useful in chemical and food industry.

**CHARACTERISTICS**

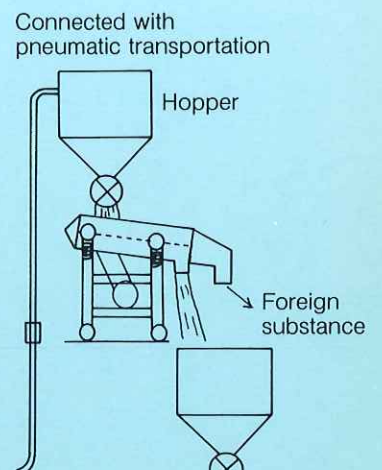
1. Simple construction, narrow floor space occupied, easy movement and quiet operation.
2. Convenient height for throwing-in.
3. Portable typed simple mesh exchange.
4. Speedy throwing-in working.
5. Frame is supported by springs from 4 points and fits for long and severe use.

**EXAMPLE**

SVT-1 (No outlet at upper part of mesh)

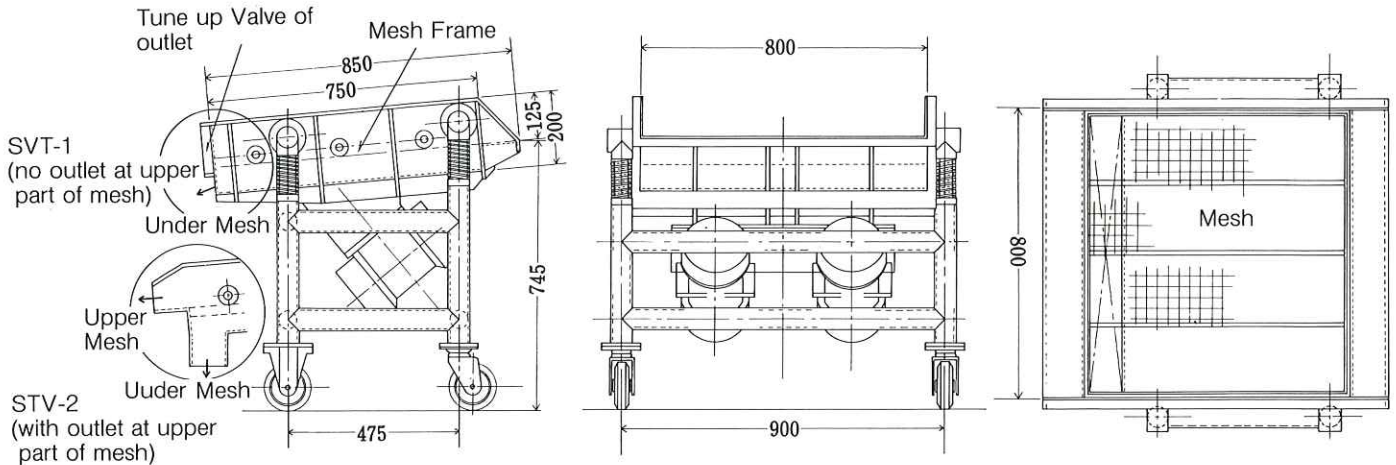


SVT-2 (with outlet shoot at upper part of mesh)



# Construction Drawing of Hand Throwing-In Systemed Vibrating Sieve

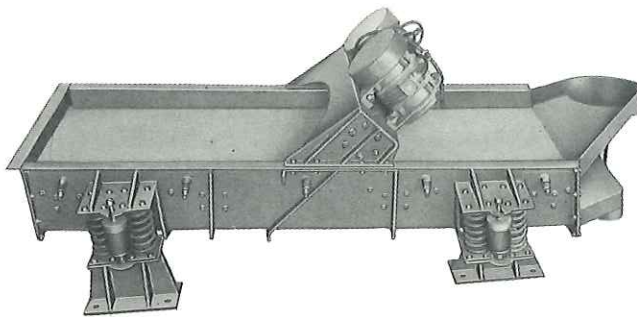
(Size of Mesh Frame 750 × 800)



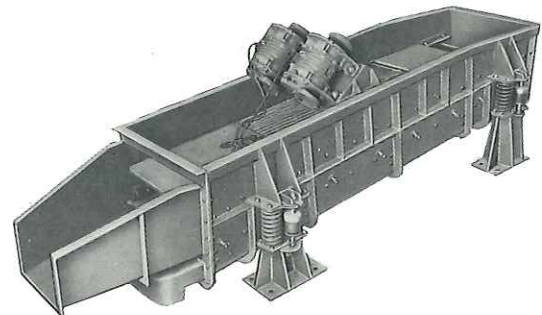
## SV-1 SV-2 VIBRATING SIEVE

Not only for Food, Chemical and Medical Industries but also Selection for Casting, Pottery Industry, Coke and Metallic Dust.

SV-1 (One Step System)



SV-2 (Double Step System)



### CHARACTERISTICS

1. Simple Installation.....For its compact feature, only narrow floor space occupied. Using vibrator for driving gear and it is vibrating object in itself, so installation is very easy.
2. Dust-Proof System.....The driving gear is fully closing construction and useable it even in dusty surroundings.
3. Easy Maintenance.....Easy maintenance and checking for its simple construction.
4. High Efficiency .....Obtainable big seismic amplitude (3—6 m/m) by high number of vibration.
5. Long Life .....Using vibrator for driving gear and also screen itself has enough strength, this fits for long and severe use.



**NISHIMURA MACHINE WORKS CO., LTD.**

7-5, INARI 2-CHOME, NANIWA-KU, OSAKA 556, JAPAN.

TELEPHONE: 06-561-8836

TELEX : NEOCORP J64581 - ATTN : NISHIMURA