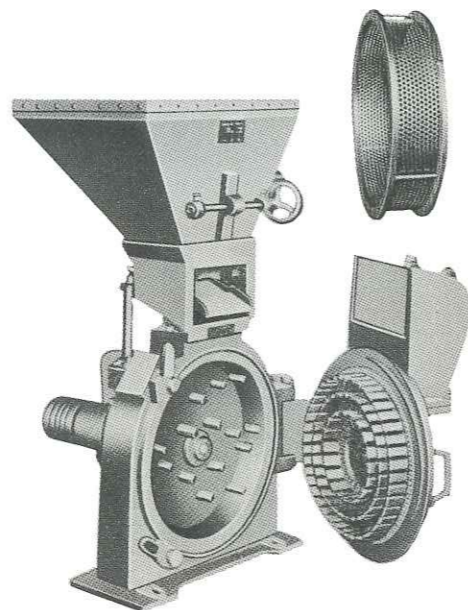


NISHIMURA ROTARY SIFTER

NISHIMURA HIGH-SPEED GRINDER

The machine is an efficient crushing and grinding mill utilizing impact force by high-speed revolutions, and is bestsuited for curshing and pulverizing various types of industrial raw material, livestock feed and fertilizer material, sea foodstuff confectionery and ceramics raw materials, etc.



SPECIFICATION:

Model	Power required (HP)	Dia. of Rotating Disc (m/m)	r.p.m.	Machine Size (m/m)		Dia. of Pulley	Screen Size	Bearing Number
				(H)	(W)			
NC-1	1/2-1	152	7000	560	310	2 1/4 A2	36×580	6203
NC-2	1-2	180	6500	660	340	2 1/4 A2	56×700	6304
NC-3	2-3	220	6000	855	490	3 A3	56×850	6305
NC-5	5	297	5000	1060	570	4 B3	85×1200	6309
NC-10	7 1/2-10	380	3500	1250	675	5 B4	100×1500	6310
NC-15	10-15	475	3000	1350	750	6 B5	94×1750	6310
NC-25	20-25	540	2900	1370	960	6 B6	115×1960	6311
NC-30	25-30	610	2500	1850	1005	8 C5	144×2070	2218

*Pulverizing capacity depends upon the nature of pulverizing material.



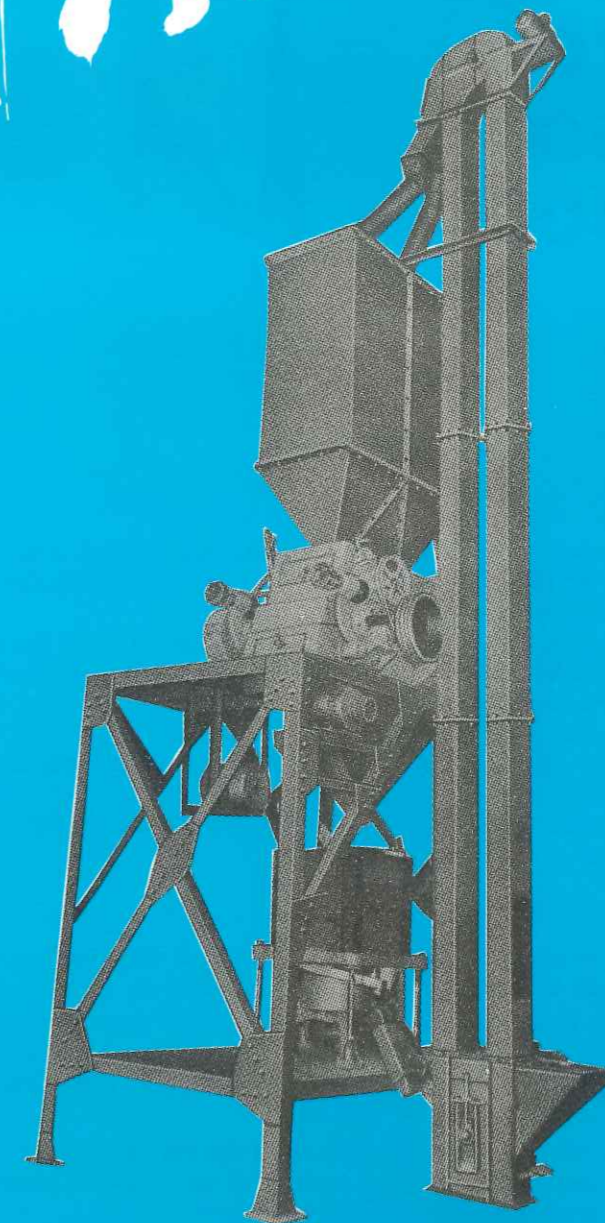
NISHIMURA MACHINE WORKS CO.,LTD.

6-9, MATSUYAMA-CHO 2-CHOME, YAO-CITY,
OSAKA PREF. 581, JAPAN.
TEL : (0729) 91-2461 FAX : (0729) 93-6334

DISTRIBUTOR:

NISHIMURA ROTARY SIFTER

Nishimura



NISHIMURA MACHINE WORKS CO., LTD., JAPAN.

rotary sifter

MODEL **M-900**
M-700
M-500
M-400



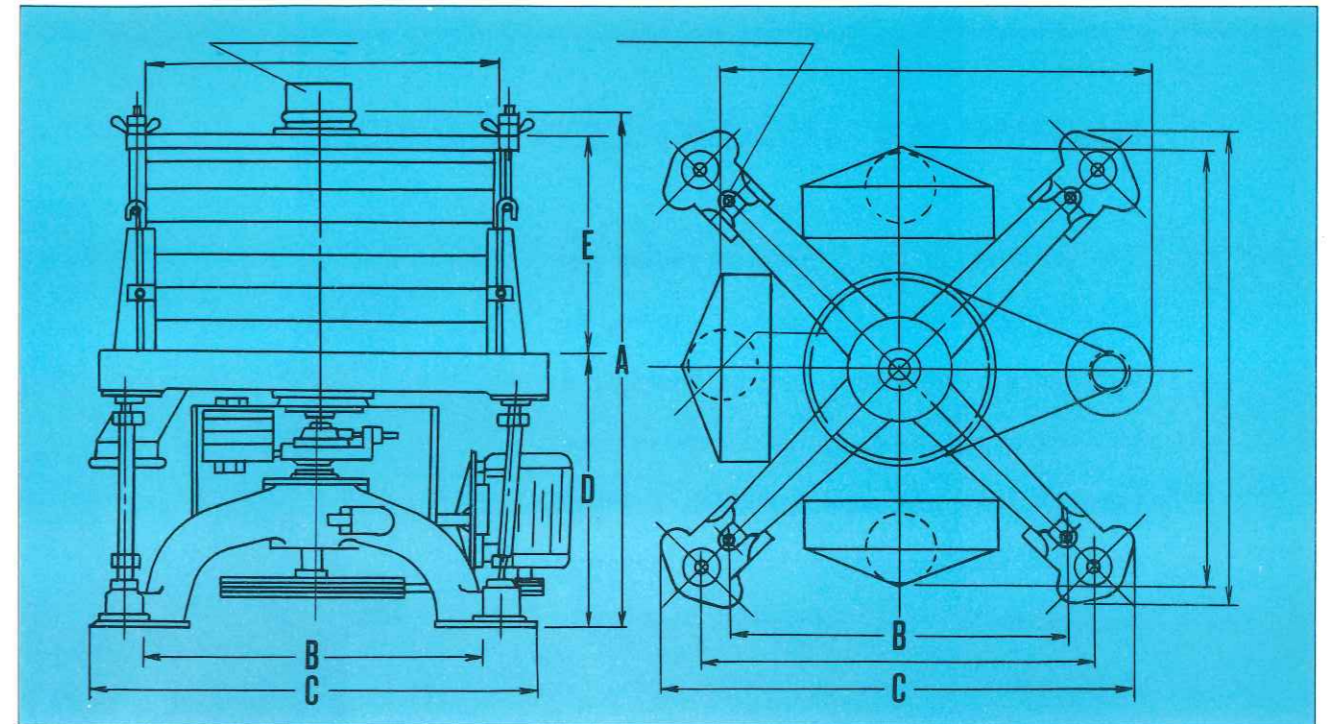
"NISHIMURA" ROTARY SIFTER

FEATURE

1. The machine is strongly built and designed to be an up-to-date efficient sifter.
2. By this sifter, you can get the product of any particle size to your requirement, and by operating switch cut, you can control easily the ratio of yielding.
3. This sifter, at buyer's request, can provide up to four discharge gates for four kinds of siftings.
4. Powder required for operation is small and its motor is of direct transmission type, therefore, no transmission shaft is necessary.
5. Less floor space is required and, also, easily movable.
6. The machine has eccentric radius regulator and is equipped with ball bearings in its revolving sections so that no oiling is necessary.
7. The machine is equipped with the special vibration absorbers against vibration that is unremovable on the conventional sifters.

STRUCTURE

- FrameAll made of iron and steel. The main part is strongly built in order to get stabilized against the motion of amplitude of vibration.
- SieveCompletely dried oak wood is used so as to stand compulsory vibration and the corners of a sieve are enforced with stainless metal so that no distortion nor damage will occur. The sieve is so designed as to be easily assembled and disassembled with 1/2" bolts.
- Supporting Legs...Universal rod is adopted. On each end of the rod is equipped an enclosed hard quality rubber bush in order to work the eccentric motion smooth and quiet absorbing vibration between sieves and frame completely.
- ScreenAny of silk screen, metal screen, bronze screen, stainless screen, etc., can be freely fixed and there is no need of sealing.
- BearingThe machine adopts strong sealed bearings to stand the load of eccentric revolving.
- DrivingDirect transmission type driven by V-belt and the tension of the V-belt is easily adjustable.



A SAMPLE OF SIFTING

Dimension of Model M-700

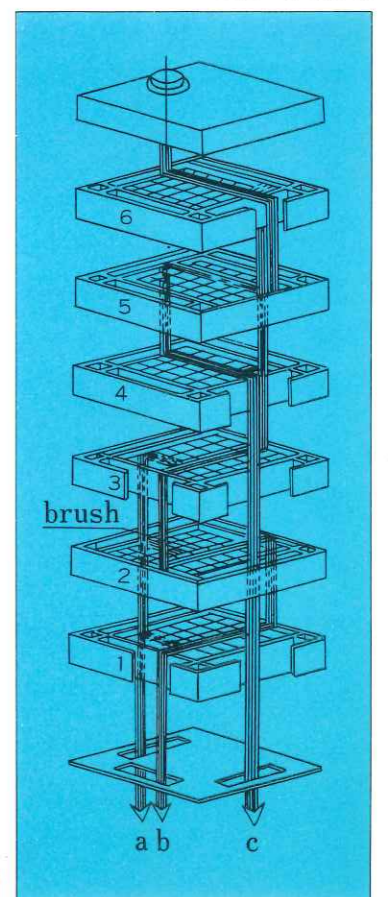
Type	4 Sieves	6 Sieves
A	1060 mm	1220 mm
B	820 mm	820 mm
C	1160 mm	1160 mm
D	590 mm	590 mm
E	470 mm	630 mm
F		
No. of Sieves	4 sieves	6 sieves
Size of Sieve	1.8 M ²	2.7 M ²
R. P. M.	280	280
Required Power	1 HP	1 HP
Net Weight	360 kg	380 kg

MODELS :

"NISHIMURA" ROTARY SIFTER

CAPACITY (Kg per hour)

Mesh		Wheet F.	Rice F.	Feed F.	Curry F.
M O D E L	M-700 (4 Sieves)	86	80	8-10	50
	M-700 (6 Sieves)	700 kg	280 kg	5000 kg	1500 kg
	M-900 (6 Sieves)	1400 kg	560 kg	10000 kg	3000 kg



- a : Fine Powder (Product)
- b : Medium Powder
- c : Large Powder